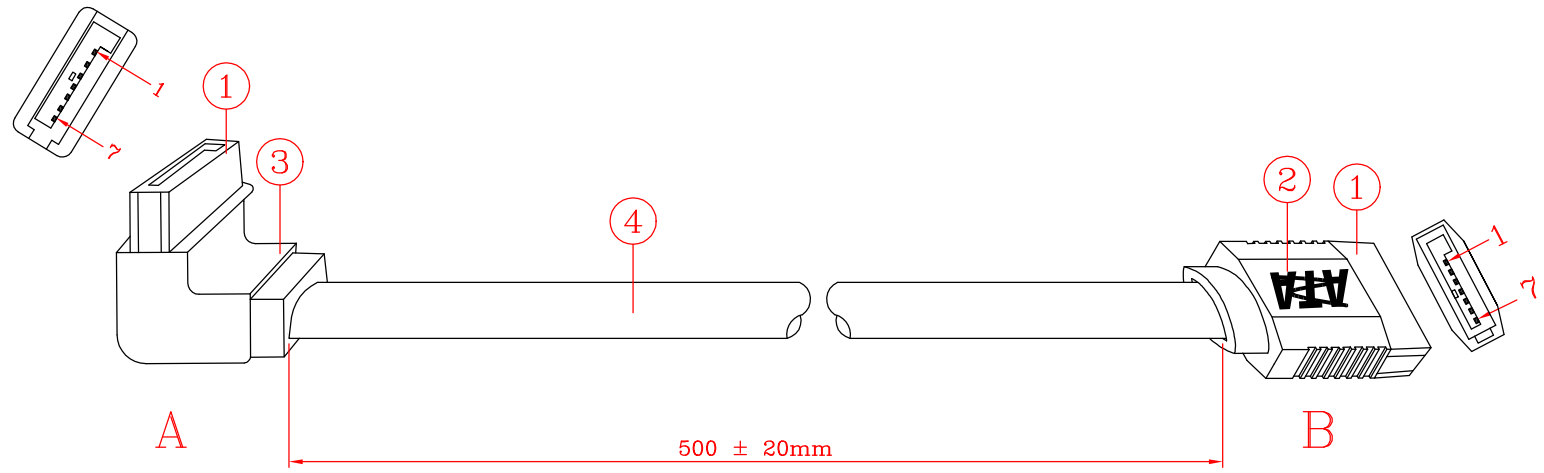
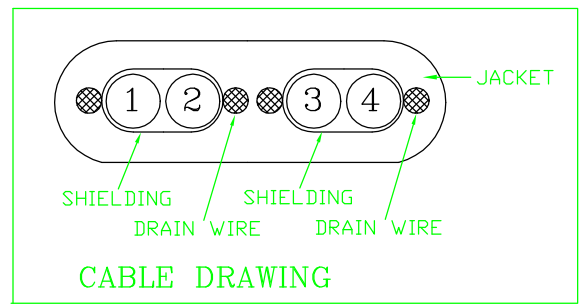
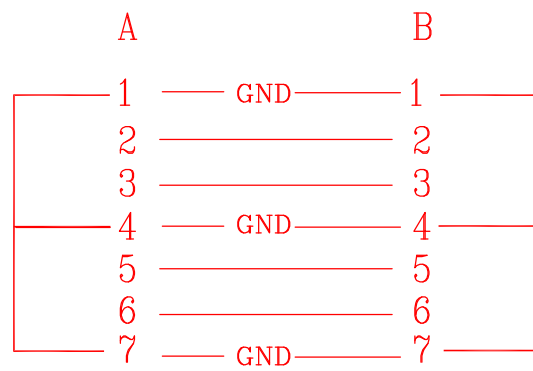


REV.	ZONE	LTR	DESCRIPTION	DATE	REVISER	APPD
------	------	-----	-------------	------	---------	------



PIN ASSIGNMENT:



Red	52.5cm	26AWG SATA CABLE	4	CFZ08-SA-A525
Black	1	PVC-MOLDING	3	ZPVC-002
Black	1	PVC-MOLDING	2	ZPVC-001
Black	2	SATA 7P FEMALE CONN.	1	XAA-052-7F XAA-052-7F-A
REMARK	Q'TY	PART NAME	NO.	PART NO.

高位企業有限公司 Yes Way Enterprise Corp.		TOLERANCE UNSPECIFIED	
SCALE X		UNIT mm	
NAME SERIAL ATA CABLE ASSEMBLY		SHEET 1 / 1	
DRAWING NO. C07A03-X050-H		REV 3	
		CHECKED Jenny	
		APPROVED Tim	
		DESIGNER Reo	
		DRAWN Vivian 5/19/2003	
		DATE 5/19/2003	
		SHEET NO. A3	