

A

B

C

D

E

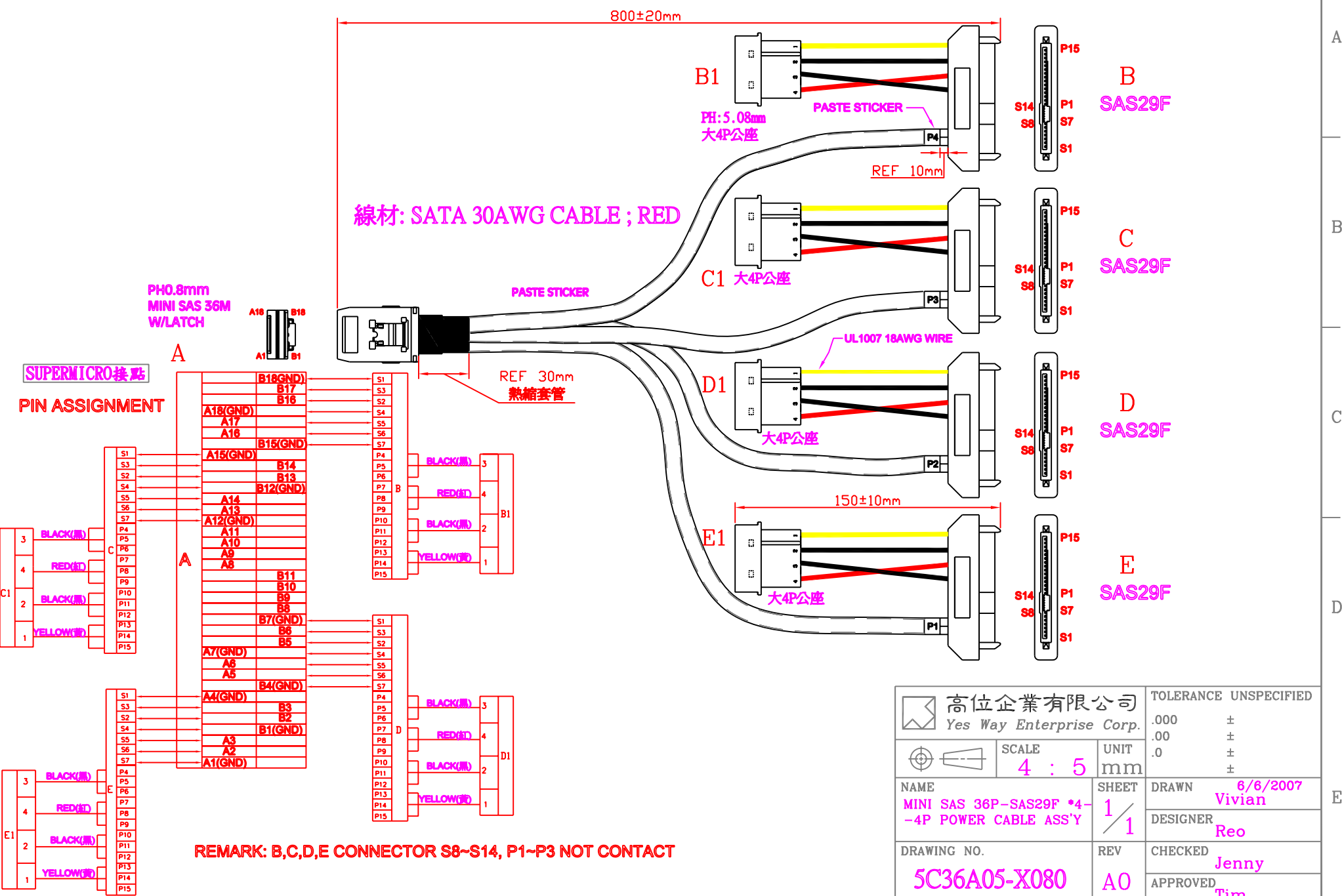
A

B

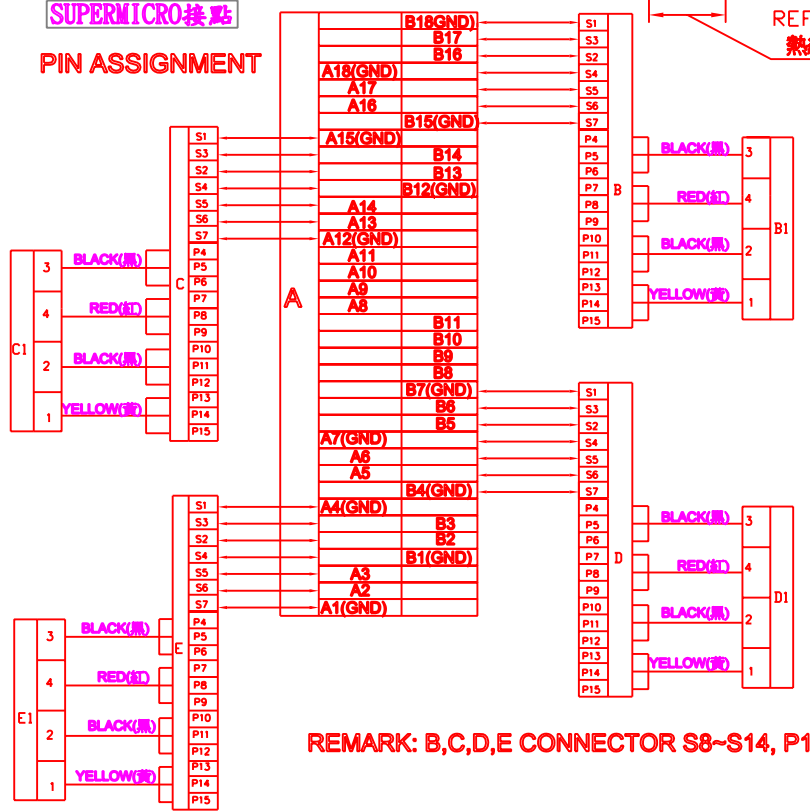
C

D

E



SUPERMICRO接點
PIN ASSIGNMENT



REMARK: B,C,D,E CONNECTOR S8~S14, P1~P3 NOT CONTACT

高位企業有限公司 Yes Way Enterprise Corp.		TOLERANCE UNSPECIFIED	
SCALE 4 : 5		UNIT mm	
NAME MINI SAS 36P-SAS29F *4- -4P POWER CABLE ASS'Y		SHEET 1 / 1	
DRAWING NO. 5C36A05-X080		REV A0	
DRAWN 6/6/2007 Vivian		DESIGNER Reo	
CHECKED Jenny		APPROVED Tim	

RoHS product

A3